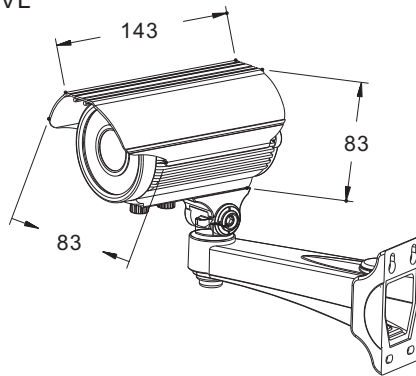


Key Features

- ◆Dimensions: L143×W83 (MM)
- ◆Net Weight: 0.80KG
- ◆Color: Dark Gray
- ◆42pcs ϕ 5 LED,30-40M IR Distance
- ◆4-9MM Varifocal Lens (Standard Configuration)
- ◆DC12V
- ◆Optional:1/4"SHARP 420TVL
1/3"SHARP 420TVL
1/3"SONY 420TVL
1/3"SONY 540TVL
1/3" SONY Mona Lisa 600TVL
1/3"SONY EFFIO-E 700TVL



Model	AX-540WB	AX-420WB
Pick-up Device	1/3"SONY CCD	1/3"SONY CCD
Number Of Pixels	PAL:752H×582V NTSC:768H×494V	PAL:500H×582V NTSC:510H×492V
Resolution	540TVL	420TVL
System	PAL / NTSC	
Horizontal Scanning Frequency	PAL:15.625KHZ / NTSC:15.734KHZ	
Scan System	2:1 Scan	
Min. Illumination	0LUX(IR on)	
Sync System	Internal	
S/N Ratio	48 dB	
Electronic Shutter	PAL:1/50-1/100,000sec;NTSC:1/60-1/100,000sec	
Gamma Modification	0.45	
Video Output	1 Vp-p,75 Ohms	
AGC	YES	
IR Distance	30-40M	
Lens	4-9MM Varifocal Lens (Standard Configuration)	
Supply Voltage	DC 12V(+/-10%)	
Power Consumption	300mA	
Operation Temp.	-10°Cto+45°C	
Dimensions	L143×W83 (MM)	
Net Weight	0.80KG	
Color	Dark Gray	

Specifications are subject to change without notice.